

Barkless Pro BP-504



**THE
DOG LINE**

1300 THE DOG
1300 843 364

www.thedogline.com.au



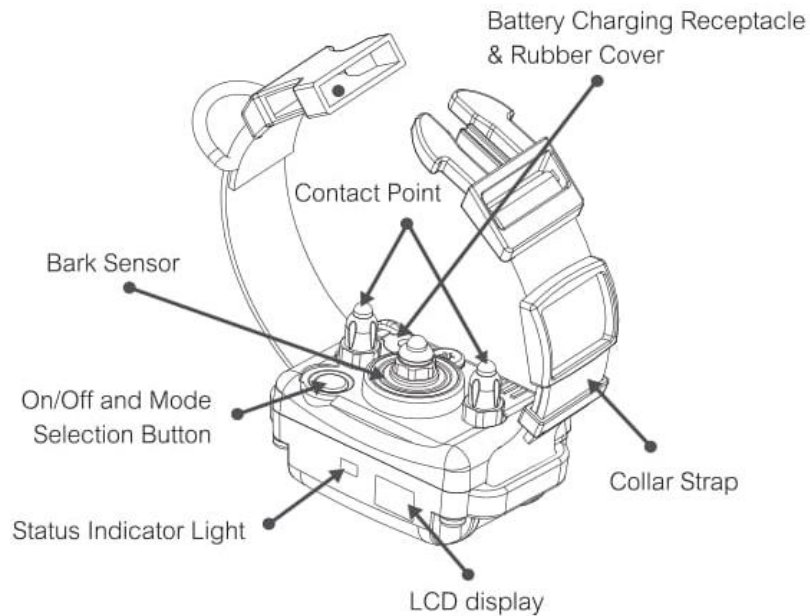
Welcome to the World of
E-Collar Technologies, Inc.

BP-504
Owner's Manual

COMPONENTS

- BP-504 Collar Unit with collar strap
- Lithium Polymer Charger Adapter
- Stainless Steel Contact Points
- Contact Point Removal Tool
- Sensor Post for Long Contact Points

GETTING STARTED

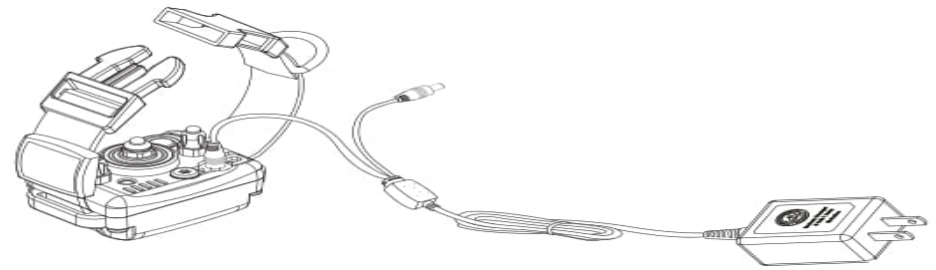


TURNING THE COLLAR ON / OFF

To turn on the BP-504, simply press the Control Button for 0.25 seconds, a beep will sound and the Bark Count Mode will be displayed.

To turn off the BP-504, simply press and hold the Control Button for 5 seconds, a beep will sound and the Software Version will be displayed.

CHARGING THE BP-504 UNIT



Indicator light will turn Solid Red during charge cycles and will turn Solid Green once it is fully charged. (approximately 2 hours)

NOTE

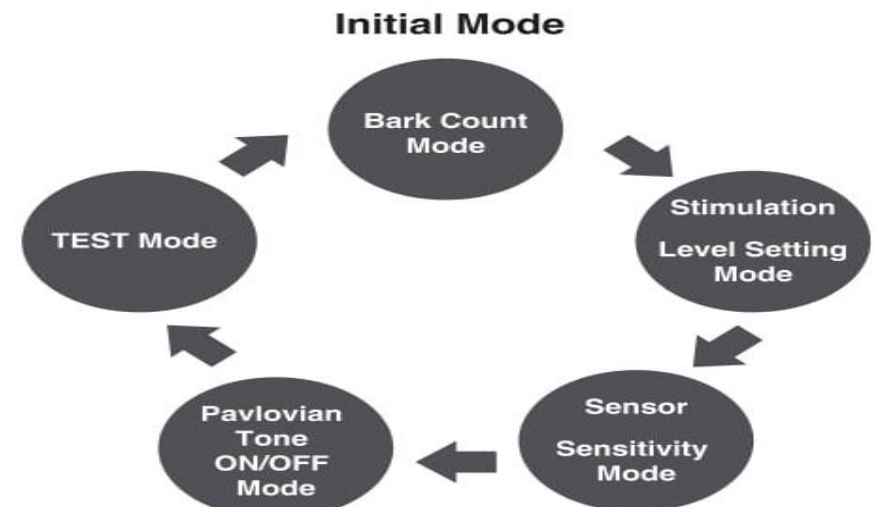
Indicator light will flash GREEN under normal operation

Indicator light will turn solid RED when stimulation is applied.

Blinking RED when recharging is required.

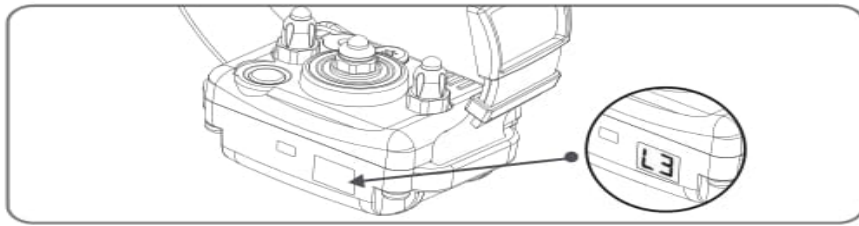
PROGRAMMING MODE

The BP-504 features 5 programming modes. The initial mode is the bark counter, pressing the Control Button will toggle through the modes as shown in the diagram.



LCD DISPLAY

Mode	LCD Display	Mode
Count Mode	00~99	Number of Bark Activations
Stimulation Level Setting Mode	L 0	Tone Only
	L 1	Stimulation Level 1
	L 2	Stimulation Level 2
	L 3	Stimulation Level 3
	L 4	Stimulation Level 4
	L 5	Stimulation Level 5
	L 6	Stimulation Level 6
	L 7	Stimulation Level 7
	L 8	Stimulation Level 8
Sensor Sensitivity Mode	L 9	Auto Mode
	L	Low Sensitivity
	□□	Medium Sensitivity
Pavlovian Tone On/Off	H	High Sensitivity
	O	Pavlovian Tone On
Test Mode	F	Pavlovian Tone Off
	¬□	Activates test stimulation with current setting value



BARK COUNTER

The BP-504 defaults to the Bark Counter Mode when turned on or is brought out of sleep mode. Please note that the Bark Counter will not count barks when the 5 seconds safety delay feature is activated. The bark counter is designed to count the number of times the collar is activated not the total number of barks.

To reset the counter simply press and hold the control button for 2 seconds or until the display resets to Zero.

HOW TO PROGRAM THE BP-504

1. Cycling through the different modes.
 - Pressing the control button briefly will cycle through the five modes (Bark Counter, Stimulation Level Setting, Sensor Sensitivity, Pavlovian Tone ON/OFF Setting, and Test Mode)
2. Changing mode setting.
 - Display the mode you desire to change and press the control button for 2 seconds until the tone sounds and display begins to blink.
 - Once the unit is in programming mode simply pressing the control button will cycle the unit through the available settings for that mode.
 - To save the setting that is displayed simply press the control button for 2 seconds until the tone sounds and the display stops blinking.
 - Inactivity for 10 seconds will also save the mode setting and return the unit to the bark mode.
3. Normal operating state.
 - When the unit is on and not in programming mode the display will turn off and the battery indicator will continue to flash green or red if it needs to be charged. Pressing the control button will display the bark counter.

STIMULATION MODES

The BP-504 can be set to Zero Stimulation (L0) with tone on or off. When set to zero and tone is off it will count barks which may be useful in testing the bark sensor. Remember it will wait 5 seconds after each count before it counts another bark.

Eight different stimulation levels are available to accommodate the varying sizes and temperaments of dogs. The levels are displayed L1 – L8.

The “Auto Mode” is displayed as L9. In Auto mode the unit will start at level 1 and increase one level for every 2 activations until it reached level 8. When the dog stops barking for 10 seconds it will reset to level 1.

SENSOR SENSITIVITY ADJUSTMENT

The BP-504 is designed with the ability to adjust the sensitivity of the bark sensor. Most dogs will work well with the medium setting; however, some dogs with softer or whining barks may need to be set to high to get reliable activations. Larger breed with very loud bark or when the user wants to allow some softer barking the setting can be changed to low setting. The owner are the best judge of what setting best suits you dog.

- To change the sensitivity, press the Control Button for 2 seconds when the Sensitivity Sensor Mode is displayed. The LCD display will start blinking and show the current setting.
- Press the Control Button to change the sensor sensitivity. Sensory sensitivity will be switched from low, medium, and high in sequence.
- Once desired setting is displayed, press the Control Button for 2 seconds to save the desired setting. The LCD display will stop blinking and return to the normal operating mode.

PAVLOVIAN TONE ON / OFF ADJUSTMENT

The BP-504 utilizes a tone prior to the stimulation commonly known as Pavlovian Tone; it improves training and allows the dog to prepare for the stimulation making it a more humane experience. Some users may desire the stimulation to be at the instance of the bark and therefore will need to turn off the tone. Also, if your dog experiences “tone superstition” to other tones it may be best to turn it off.

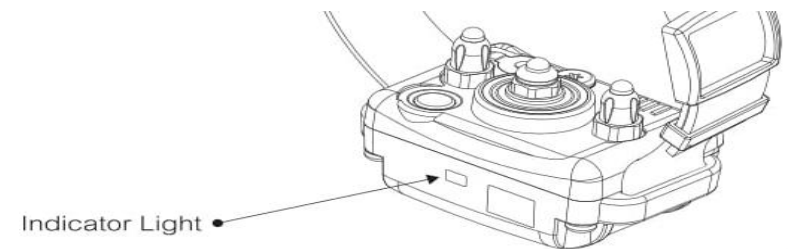
- To change the setting from the defaulted ON position, simply toggle to the “O” and hold the Control Button for 2 seconds. The LCD display will start blinking and show the current setting of ON “O”.
- Press the Control Button to toggle to OFF “F”. The Pavlovian Tone feature is now OFF.

TESTING THE BARKLESS PRO BP-504 COLLAR

The BP-504 has a test mode which allows testing of the stimulation. The sensor can only be tested on a dog using the instructions provided.

- To test the stimulation the unit needs to be in Test Mode “T”. Pressing the Control Button for 2 seconds activates the stimulation for 3 seconds at the set level of stimulation with LED blinking red after one second of buzzing sound.
- To test the bark sensor the unit should be set to Zero Stimulation “L0” and the tone should be turned off “F”. Put the unit on the dog and count the barks remembering that it will only register barks every 5 seconds. Remove the unit and look at the bark counter and make sensitivity adjustments accordingly.

INDICATOR LIGHT



Once the unit is turned on, the Indicator Light will flash green when the battery is charged. It will flash Amber when it needs a charge within the next 24 hours and Red when charging is required for continued operation. The BP-504 will go into a Sleep Mode if there is no programming or bark activity. In Sleep Mode the unit will still detect barks but will not show the battery life, simply pressing the Control Button will wake up the unit.

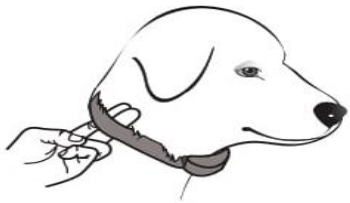
HOW TO SELECT THE CORRECT STIMULATION

The lower the stimulation the better. Always start with Level 1 and increase the level should your dog not respond appropriately. Your dog should not overly vocalize when administered the stimulation. He/she may twist their head as if a bee was buzzing them. Increase one level at a time to prevent over stimulating your dog. Some dogs respond to the Tone Mode after being conditioned with the stimulation. If you are close to your dog you should hear the tone immediately following your dog's bark followed by the corrective stimulation.

More stubborn barkers may need to have the level increased as they become accustomed to the sensation. You are the best judge of the correct level once the dog understands barking is not desired. Don't rush for change in behavior by turning it higher than necessary; remember this behavior has become a habit. It should be significant enough to communicate that barking when the collar is not acceptable.

For larger dogs that have been conditioned to the stimulation, the Auto Mode (L9) may be a good setting if protection barking is desired but nuisance barking is not.

CORRECTLY FITTING THE COLLAR



The collar should be adjusted to allow the contact points to have direct contact to the skin. You should be able to fit a couple of fingers between the collar strap and your dog. Too tight poses the risk of skin irritation and

discomfort. Too loose and the contact points will not be able to administer the stimulation reliably

The optimal position for the collar receiver is on either side of the dog's windpipe, directly on the windpipes works but may not be as comfortable for your dog. Dogs with thick fur will require some trimming to assure the contact points and bark sensor work properly.

IMPORTANT WARNINGS

- Barkless Pro BP-504 is designed for dogs only.
- Always remove the collar when playing with your dog.
- Do not leave the collar on your dog for more than 10 hours.
- Do not test the BP-504 on humans or other animals.
- Keep away from children at all times.
- The dog should be healthy during bark reduction training.
- Not recommended for dogs younger than 4 months old.
- Always use lowest setting that makes a change in your dog's barking behavior.
- Seek professional help if your dog becomes aggressive during bark reduction training.
- Observe your dog's reaction to the stimulation before leaving them alone.

ONE YEAR WARRANTY

All parts and labor are covered 100% including rechargeable batteries for a period of one year from the date of the original purchase. The warranty does not cover chewed or damaged product from misuse or neglect. The warrantor has the option to repair or replace the defective product during the one year warranty period. Should you require service to your product, please contact us by phone at 1-300-(THE DOG)/ 1-300-843-364 or by email at helpdesk@thedogline.com.au to discuss the procedure for returning the defective product. Your complete satisfaction is our goal.

